
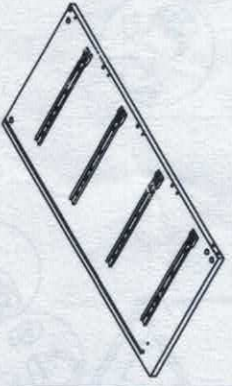
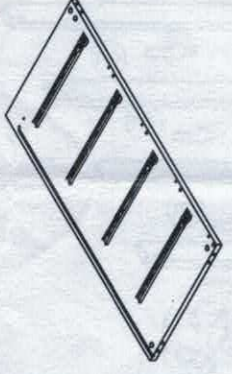





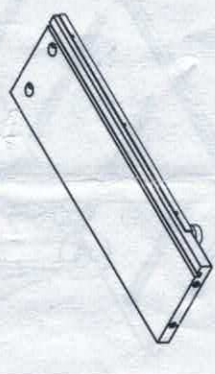
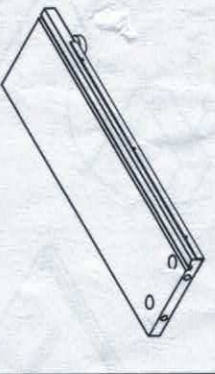











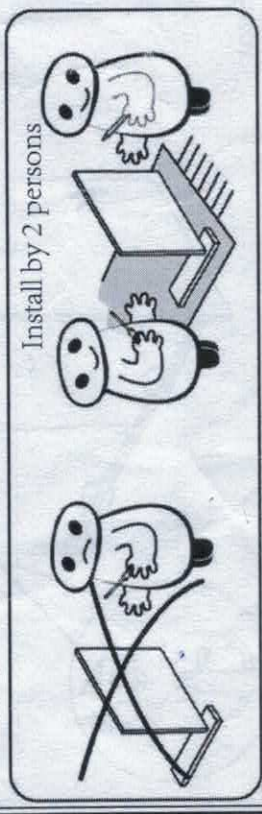


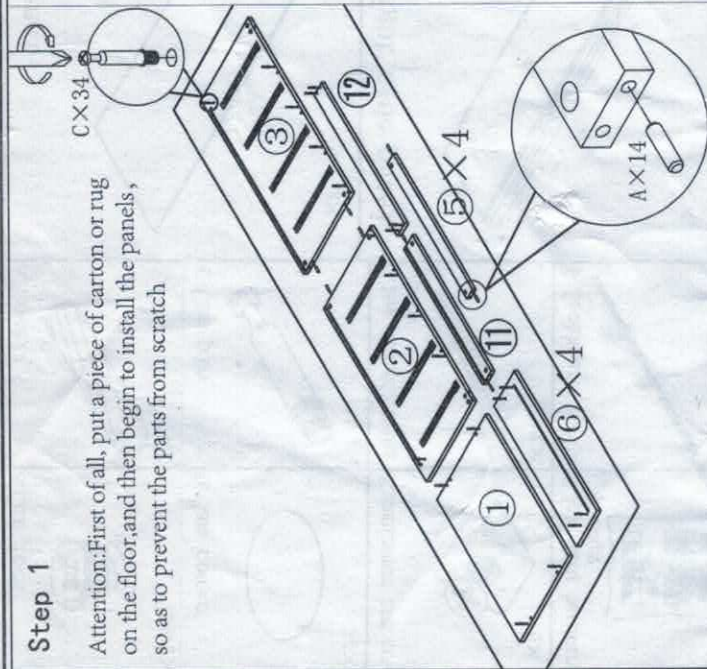
<p>① Top panel 1x</p> 	<p>② Right side panel 1x</p> 	<p>③ Left side panel 1x</p> 	<p>④ Back panel 2x</p> 	<p>A. Dowel 14x</p> 	<p>B. Cam Lock 34+2x</p> 
<p>⑤ Front baffle panel 4x</p> 	<p>⑥ Drawer front panel 4x</p> 	<p>⑦ Drawer right side panel 4x</p> 	<p>⑧ Left right side panel 4x</p> 	<p>C. Cam pin 34+1x</p> 	<p>D. Cam cover 34x</p> 
<p>⑨ Drawer back panel 4x</p> 	<p>⑩ Drawer bottom panel 4x</p> 	<p>⑪ Bottom pulling bar 1x</p> 	<p>⑫ Apron board 1x</p> 	<p>E. Long pitch seal-tapping screw 16+1x</p> 	<p>F. Backboard bracket 8x</p> 
<p>⑬ Anti-pour hardware package 2x</p> 	<p>I. Dual-purpose screwdriver 1x</p> 		<p>H. Anti-pour hardware package 2x</p> 		

Model GF582-0810  
Name 4-drawer chest  
Size 800W\*480D\*1002H

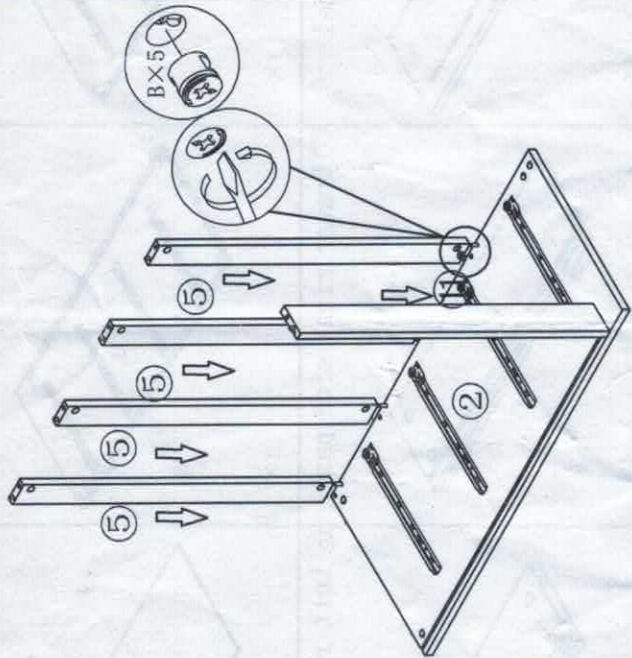


### Step 1

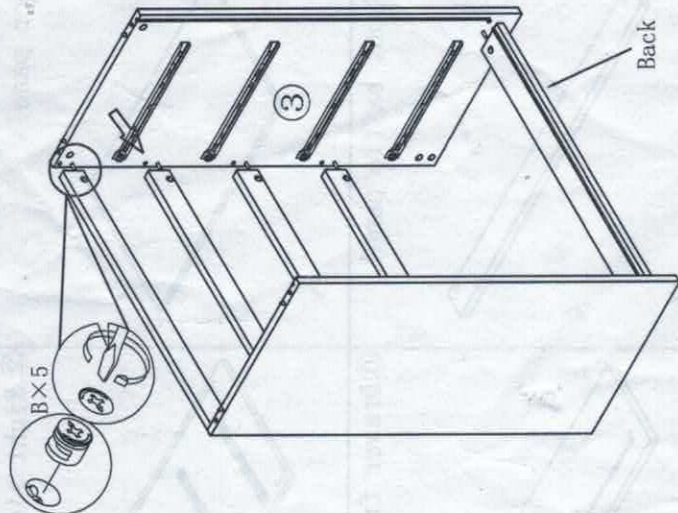
Attention: First of all, put a piece of carton or rug on the floor, and then begin to install the panels, so as to prevent the parts from scratch



### Step 2

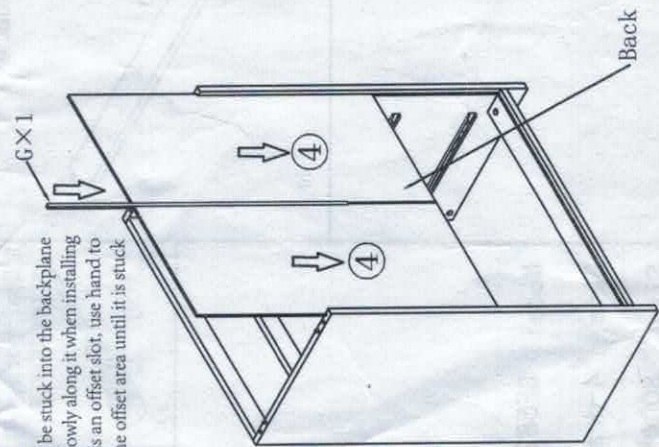


### Step 3

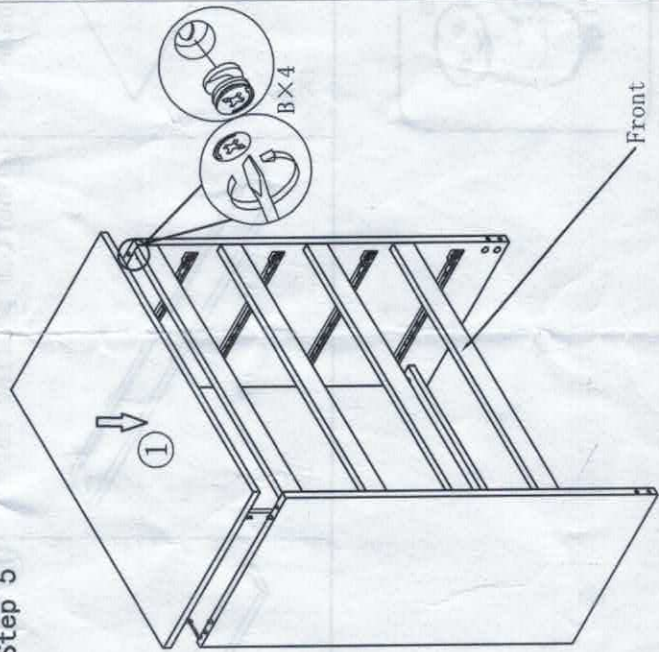


### Step 4

Note: Both sides should be stuck into the backplane slot and pressed down slowly along it when installing the backplane. If there is an offset slot, use hand to press on both sides of the offset area until it is stuck into the backplane slot.

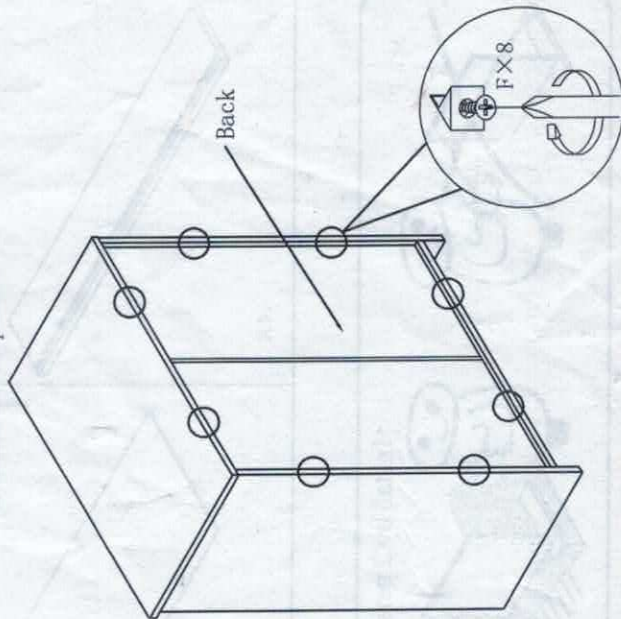


### Step 5

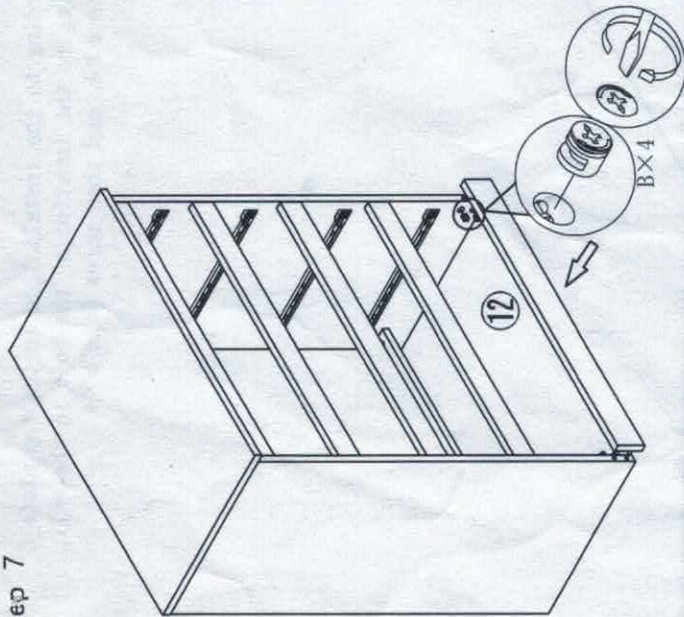


### Step 6

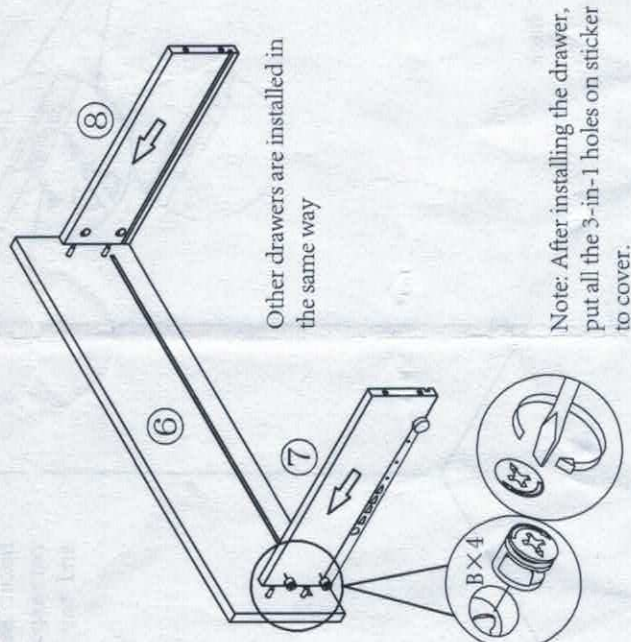
Note: You can refer to the drawing of the circle on the diagram when installing the back panel bracket, there is no accurate hole position.



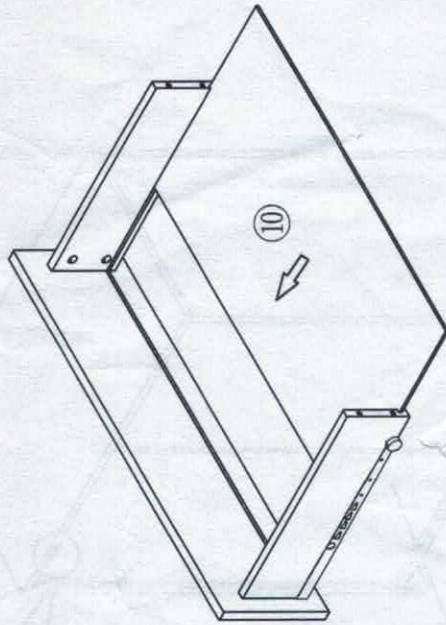
Step 7



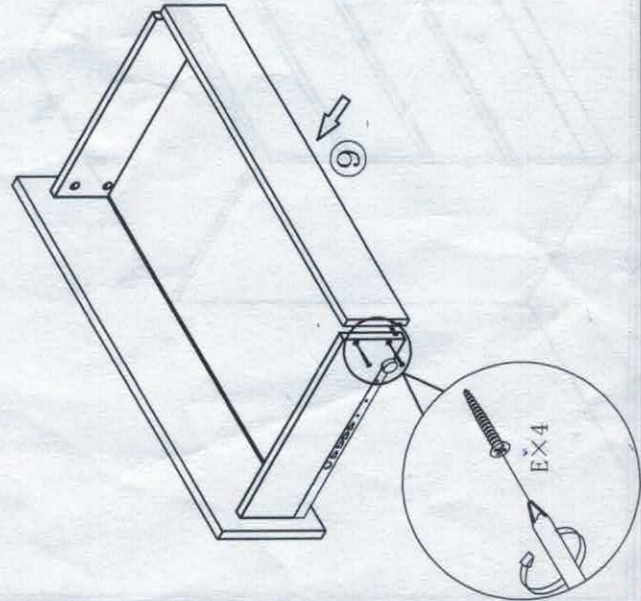
Step 8



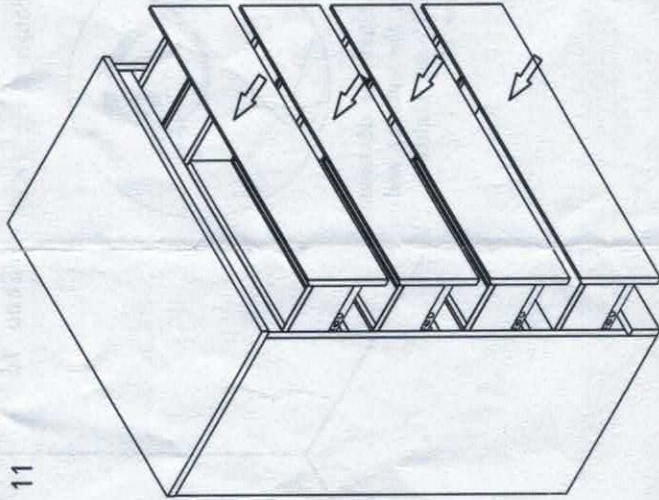
Step 19



Step 10

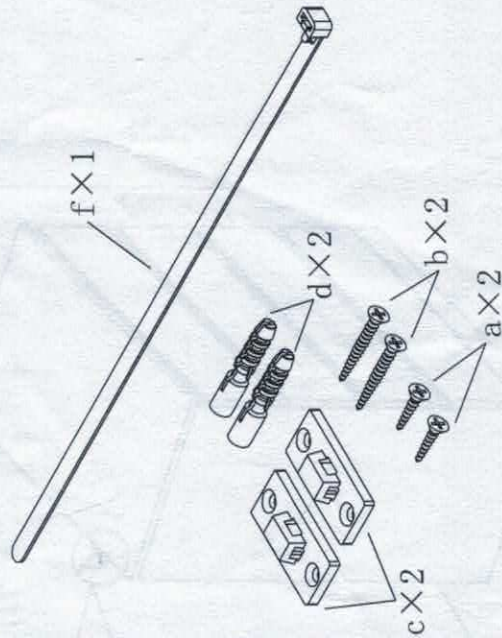


Step 11

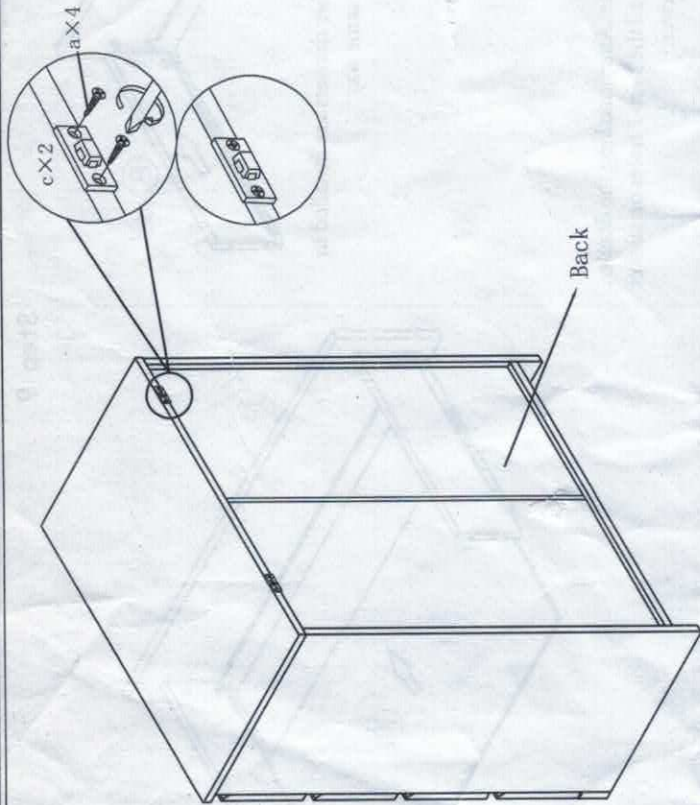


Step 12

Open K (anti-pour hardware package) 2X  
(the following is the number of single package)



Step 13



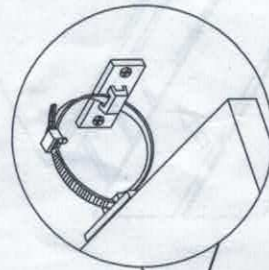
Step 14

Note: According to the installation in the top plate C corresponding to the location of the hole in the wall, and tap into d x 4, and then screw into b x 4

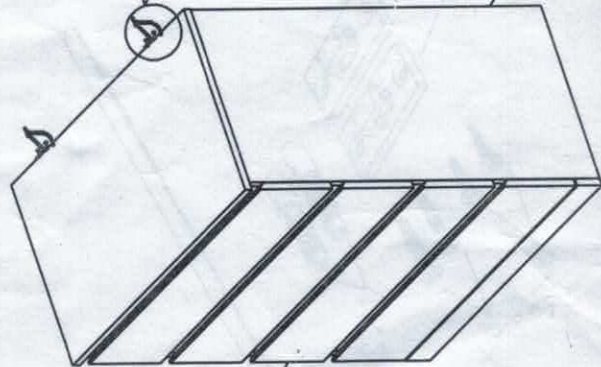


Step 15

Note: put f (x2) through the c (x2)



Note: Adjust the distance between the cabinet and the wall, and tighten the tape (f)



Step 16

